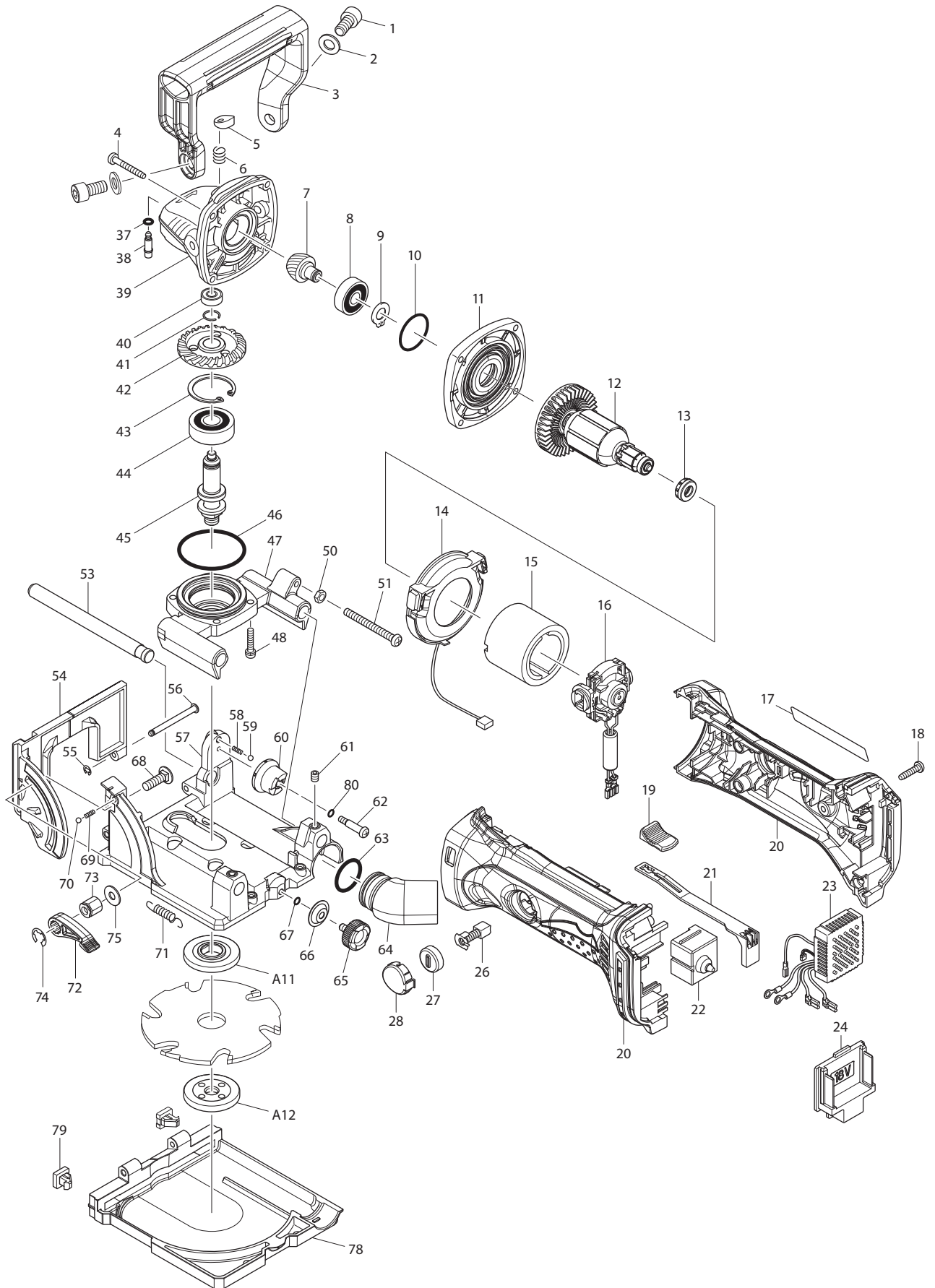




04 - 2014
DPJ180Z
18V PLATE JOINER



Item No	Type	Part No	Description	Qty	Unit
001		922422-3	HEX. SOCKET HEAD BOLT M8X16	2	PC.
002		941202-8	FLAT WASHER 8	2	PC.
003		453219-4	GRIP	1	PC.
004		266361-0	TAPPING SCREW 4X30	4	PC.
005		417771-6	PIN CAP	1	PC.
006		233072-2	COMPRESSION SPRING 8	1	PC.
007		227597-6	SPIRAL BEVEL GEAR 11	1	PC.
008		210042-8	BALL BEARING 629LLB	1	PC.
009		961005-4	RETAINING RING S-9	1	PC.
010	2	213407-3	O-RING 26	1	PC.
011		317821-6	GEAR HOUSING COVER	1	PC.
012		619295-0	ARMATURE	1	PC.
	INC.		Item No. 7-11		
013		421977-0	RUBBER RING 13	1	PC.
014		631714-6	LED CIRCUIT	1	PC.
015		638627-2	YOKE UNIT	1	PC.
016		638448-2	ENDBELL COMPLETE	1	PC.
017		815T35-6	NAME PLATE F/DPJ180	1	PC.
018		266326-2	TAPPING SCREW 4X18	5	PC.
019		419566-3	SWITCH KNOB	1	PC.
020		187839-9	HOUSING SET	1	SET
	INC.	263005-3	RUBBER PIN 6	2	PC.
021		419519-2	SWITCH LEVER	1	PC.
022		650579-7	SWITCH 1246.3223	1	PC.
023		620243-4	CONTROLLER	1	PC.
024		644808-8	TERMINAL	1	PC.
026		195018-5	CARBON BRUSH CB-430 2PC/SET (W/ORIGIN)	1	SET
027		643954-4	BRUSH HOLDER CAP	2	PC.
028		419518-4	HOLDER CAP COVER	2	PC.
037		213960-9	O RING 5	1	PC.
038		256496-5	SHOULDER PIN 4	1	PC.
039		141400-6	GEAR HOUGING COMPLETE	1	PC.
	INC.	263002-9	RUBBER PIN 4	1	PC.
040		210033-9	BALL BEARING 696ZZ	1	PC.
041		233950-6	RING SPRING 11	1	PC.
042		227598-4	SPIRAL BEVEL GEAR 36	1	PC.
043		962151-6	RETAINING RING R-32	1	PC.
044		211129-9	BALL BEARING 6201DDW	1	PC.
045		326120-5	SPINDLE	1	PC.
046		213622-9	O RING 45	1	PC.
047		318812-0	BEARING BOX	1	PC.
048		911136-9	PAN HEAD SCREW M4X20	4	PC.
050		931203-4	HEX. NUT M5	1	PC.
051		266741-0	PAN HEAD SCREW M5X50	1	PC.
053		326145-9	ROD 10	2	PC.
054		141247-8	FENCE COMPLETE	1	PC.
055		961017-7	STOP RING E-3	2	PC.
056		256689-4	PIN 4	2	PC.
057		318813-8	BASE	1	PC.
058		231282-5	COMPRESSION SPRING 2.4	1	PC.
059		216001-0	STEEL BALL 3.5	1	PC.
060		318814-6	STOPPER	1	PC.
061		266264-8	H.S.SET SCREW(FLAT POINT)M5X6	2	PC.
062		266738-9	+PAN HEAD SCREW M4	1	PC.
063		213008-7	O RING 22.4	1	PC.
064		415252-4	DUST NOZZLE	1	PC.
065		265785-7	THUMB SCREW M5X10	1	PC.

Item No	Type	Part No	Description	Qty	Unit
066		232131-9	LEAF SPRING	1	PC.
067		213023-1	O RING 4	1	PC.
068		266737-1	FLAT HEAD SQ. NECK BOLT M6X20	1	PC.
069		231282-5	COMPRESSION SPRING 2.4	1	PC.
070		216001-0	STEEL BALL 3.5	1	PC.
071		231795-6	TENSION SPRING 8	2	PC.
072		272263-0	LEVER 40	1	PC.
073		252159-1	HEX. NUT M6	1	PC.
074		961014-3	STOP RING E-8	1	PC.
075		253804-1	FLAT WASHER 6	1	PC.
078		318845-5	BLADE COVER	1	PC.
079		424479-5	RUBBER SPIKE	2	PC.
080		213023-1	O RING 4	1	PC.
D01		652045-0	+PAN HEAD SCREW M3.5X5	2	PC.
E01		804C80-4	CAUTION LABEL	1	PC.

ACCESSORIES

- See catalogue or visit www.makita.ca for more optional accessories -

A01		123148-2	ANGLE GUIDE ASSY (See Parts Breakdown 123148-2)	1	PC.
	INC.	266736-3	HEX BOLT M6X20	1	PC.
	INC.	317049-6	CLAMP	1	PC.
	INC.	141245-2	ANGLE GUIDE COMPLETE (N/A as individually)	1	PC.
	INC.	253804-1	FLAT WASHER 6	1	PC.
	INC.	272263-0	LEVER 40	1	PC.
	INC.	252159-1	HEX. NUT M6	1	PC.
	INC.	961014-3	STOP RING E-8	1	PC.
	INC.	271616-0	THUMB 20	1	PC.
	INC.	232278-9	LEAF SPRING TYPE 2 (TYPE 1# 232130-1)	1	PC.
	INC.	253186-1	FLAT WASHER 7	1	PC.
	INC.	226217-9	SPUR GEAR 16	1	PC.
	INC.	961017-7	STOP RING E-3	2	PC.
A02		123150-5	DUST BAG ASSEMBLY	1	PC.
	INC.	410602-8	FASTENER	1	PC.
A03		415579-2	SET PLATE 4	1	PC.
A04		A-95118	4" C.T. CUTTER BLADE 6T, 22M	1	PC.
A05		782401-1	LOCK NUT WRENCH 20	1	PC.
A06		-----	BATTERY CHARGER		
A07		-----	18V LI-ION BATTERY		
A08		-----	LI-ION BATTERY ACCESSORIES		
A09		141533-7	PLASTIC CARRYING CASE COMPLETE	1	PC.
	INC.	162315-4	LATCH	2	PC.
	INC.	452137-3	HANDLE	1	PC.
	INC.	452143-8	SHAFT	2	PC.
	INC.	453489-5	INSIDE LID	1	PC.
A10		804C40-6	MODEL NO. LABEL F/DPJ180RFE	1	
A11		224280-6	INNER FLANGE 40	1	PC.
A12		224505-8	LOCK NUT 10-40	1	PC.
A13		-----	PLATE JOINER BISCUITS		